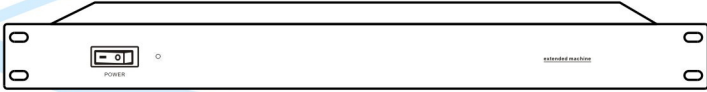


WIRED CONFERENCE SYSTEM EXTENDED MACHINE

Operation Instructions



1. Product characteristics

I Power extension unit

1. This series of products using high precision power supply, strong anti-interference ability, achieve the elimination of noise for the signal. It won't increase noise when the number of units increased.
2. Power extension unit built-in overload protection, can effectively prevent the unit, the connection and the short circuit overload phenomenon.
3. One extension unit can be connected 60 microphone units, four parallel output, each road can be connected to 20 units.
4. Four 8P-DIN sockets are used to connect microphone units and connect to more extended machine, which can be placed on the table or mounted on a 19 inch standard cabinet.
5. Standard 1U case design, through high voltage testing, to ensure that meet the requirements of safety standards.
6. Power extension unit can enhance the power supply of the system to connect the unit number of the host, make up the power supply, realize the over units per one control unit.

II Data extension unit

1. This series of products using high precision power supply, strong anti-interference ability, achieve the elimination of noise for the signal. It won't increase noise when the number of units increased.
2. Power extension unit built-in overload protection, can effectively prevent the unit, the connection and the short circuit overload phenomenon.
3. One extension unit can be connected 60 microphone units, four parallel output, each road can be connected to 20 units.
4. Four 8P-DIN sockets are used to connect microphone units and connect to more extended machine, which can be placed on the table or mounted on a 19 inch standard cabinet.
5. Standard 1U case design, through high voltage testing, to ensure that meet the requirements of safety standards.
6. Power extension unit can enhance the power supply of the system to connect the unit number of the host, make up the power supply, realize the over units per one control unit.
7. Data extension unit can realize data expansion for data information exchange when one system support over 250 units.

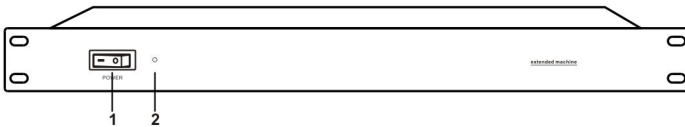
2. Safety instructions

- ◆ Follow all instructions in this instruction manual.
- ◆ Do not place the product near any heat sources such as radiators, stoves, or other devices that produce heat. If you are not going to use the product for a long time, pull out the battery. Do not throw or drop the product in case it causes severe damages.
- ◆ Be aware of the supply voltage. Only the supply voltage listed on the instruction manual fits the product.
- ◆ Only use accessories specified by our company.
- ◆ Never open the device. If devices are opened by customers in breach of this instruction, the warranty becomes null and void. Turn to the professional mechanic or local dealer for help if there is something wrong with the product.
- ◆ If components are needed to be replaced, replace them with original components produced by our company.
- ◆ Leave the devices the minimum space of 30 mm for proper ventilation. Do not cover the vent with newspapers, cloths, curtains, etc. Do not place the devices near fire or water. Only professional mechanic can assemble the devices if it is labeled with hazard warning sign “⚡”. Recycle the replaced battery. The devices can be used in tropical or temperate regions. The devices can only be used in the area with an altitude of below 2,000 meters.

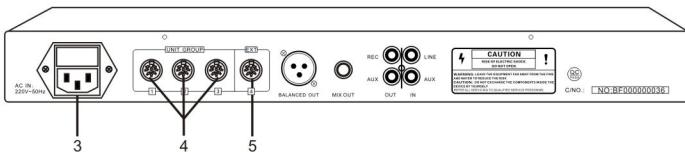


3. Product diagram display

Extended machine front panel



Extended machine rear panel



1. Power key 2. Power indicator light 3. Power socket 4. Microphone unit output socket
5. Microphone unit output socket/ extended machine connection

4. Product parameters

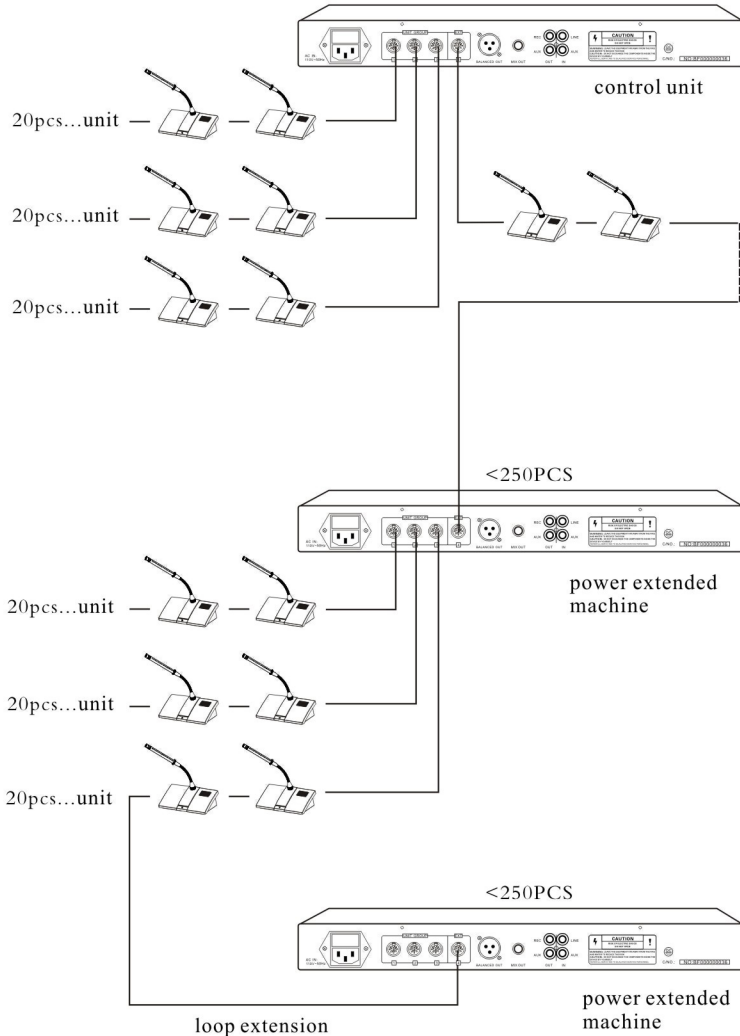
Power supply : AC 100-240V 50/60Hz

Dimension : 480*220*44mm

5. Instructions and connection diagram

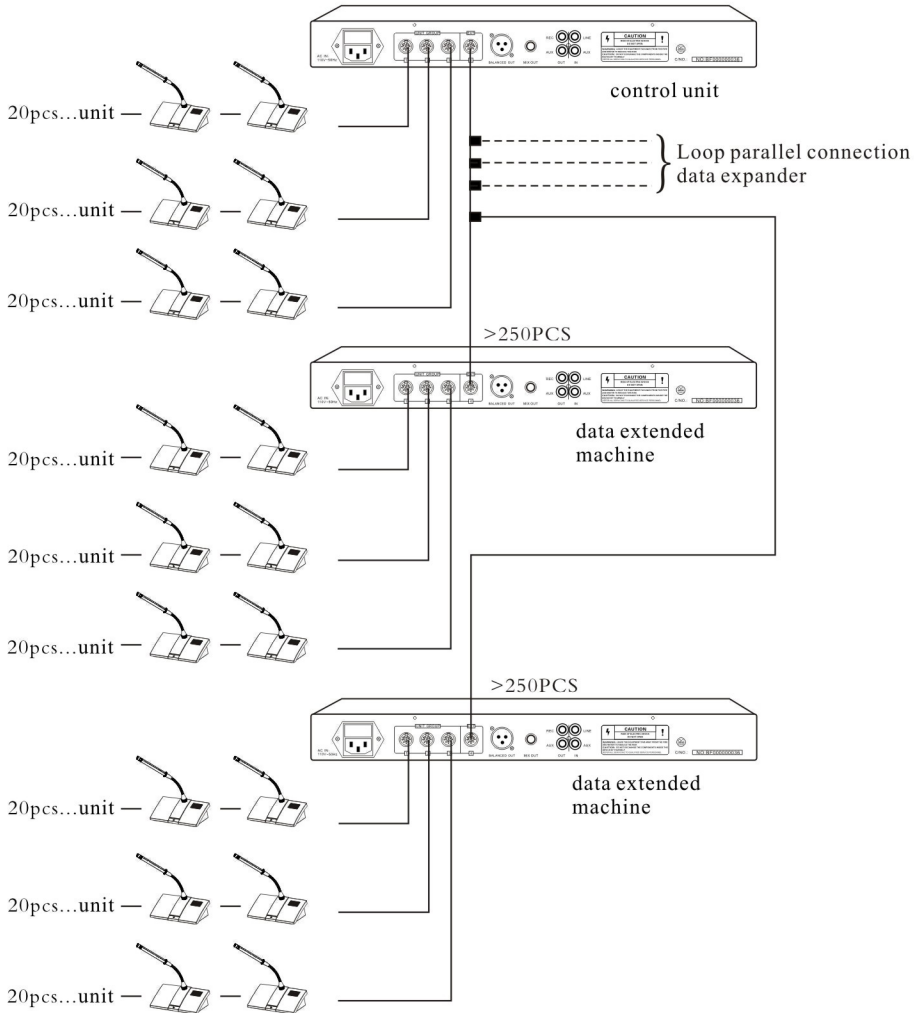
I Power extension unit connection diagram

1. Power extension unit: when totally above 60 microphone units and less than 250 microphone units, use power extended machine for supply power is enough to extend microphone units 60 units per one power extension unit.
2. Power extension unit connect in series.
3. Four roads connection, each way connect 20 units and totally connect 60 units.
4. Support microphone unit connect control unit, control unit connect extension unit, extension unit connect extension unit for extend.



II Data extension unit connection diagram

- 1.If the number of data units is more than 250, it can be used to realize the power supply and the unit data information exchange processing
- 2.Data expansion machine connect in parallel.
- 3.Use the same channel for data connection with the control unit.
- 4.Each road can be connected with 20 units
- 5.Each data extension unit can connect with 60 units



This operation manual would be revised at any time without prior notice.

This manual contains needed information as much as possible. If there is anything unclear, wrong or omitted, please don't hesitate to contact us for confirmation. The company is free from all the damage and loss caused by no confirmation.

For testing and maintenance, please contact us or our authorized distributors through the dealer from whom you purchased this product. The company assumes no responsibility for any loss or damage resulting from testing and maintaining this unit by unqualified personnel.